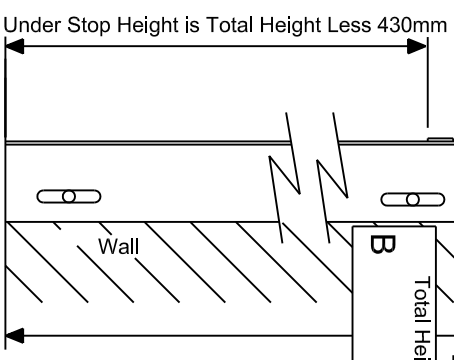
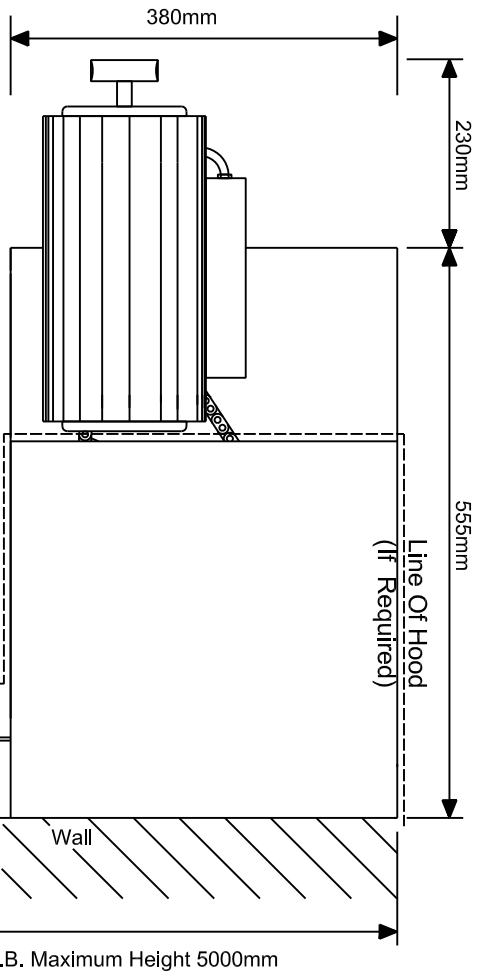
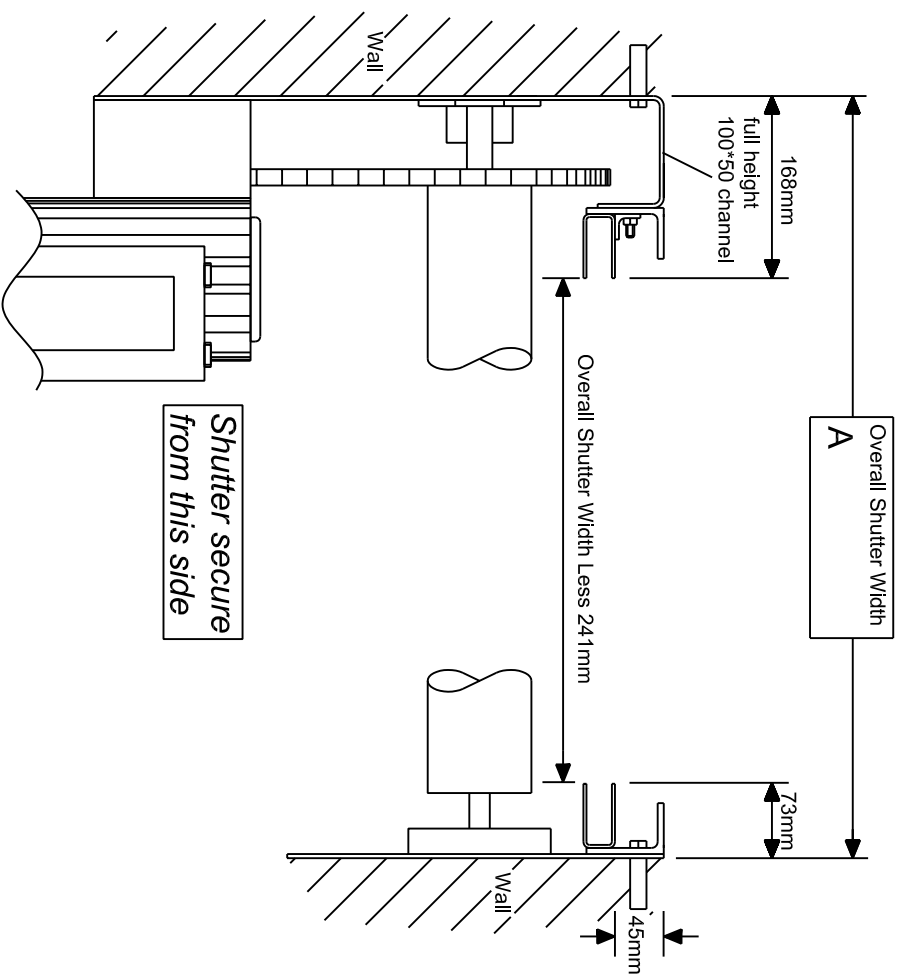


Insert sizes into boxes A & B



Kenrick Door Systems

Booth St. Smethwick
West Midlands. B66 2PF
Tel: 0121 565 0022
Fax: 0121 565 0055
Email:
sales@kenrickdoorsystems.co.uk

Title: **Left Hand Ind. Motor**

Roller Shutter
End Fixed
Drg No 04002

Client Approval/Order Box

Company

Signature

Print Name

Date

Order No.

Modification record

Date

No.

Not to scale

Issued By

Approved X

Date

Issue No. 1

Drg No. 04002