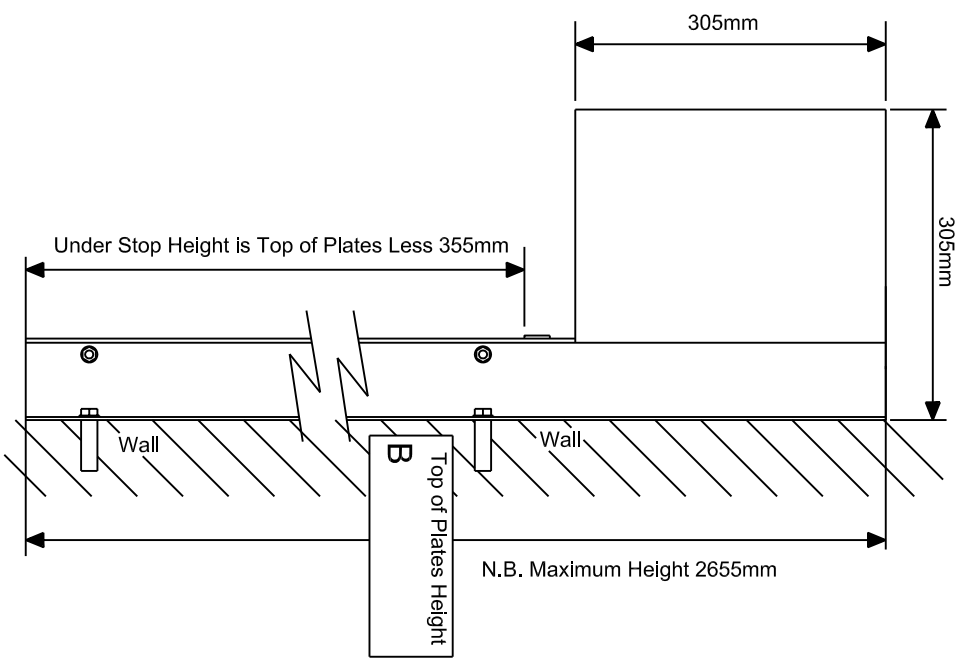
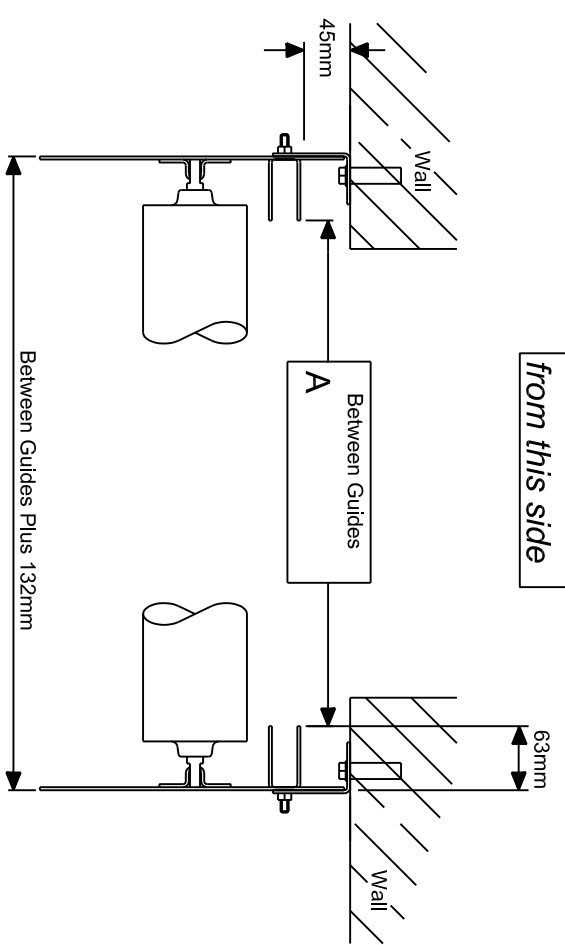


Insert sizes into boxes A & B

**Shutter secure
from this side**



Kenrick Door Systems

Booth St. Smethwick
West Midlands. B66 2PF
Tel: 0121 565 0022
Fax: 0121 565 0055
Email:
sales@kenrickdoorsystems.co.uk

Title: **Manual Push / Pull
Roller Shutter
Face Fixed
Drg No 01003**

Client Approval/Order Box
Company
Signature
Print Name
Date
Order No.

Modification record	Date	No.	Not to scale
			Issued By
			Approved X
			Date
			Issue No. 1
			Drg No. 01003