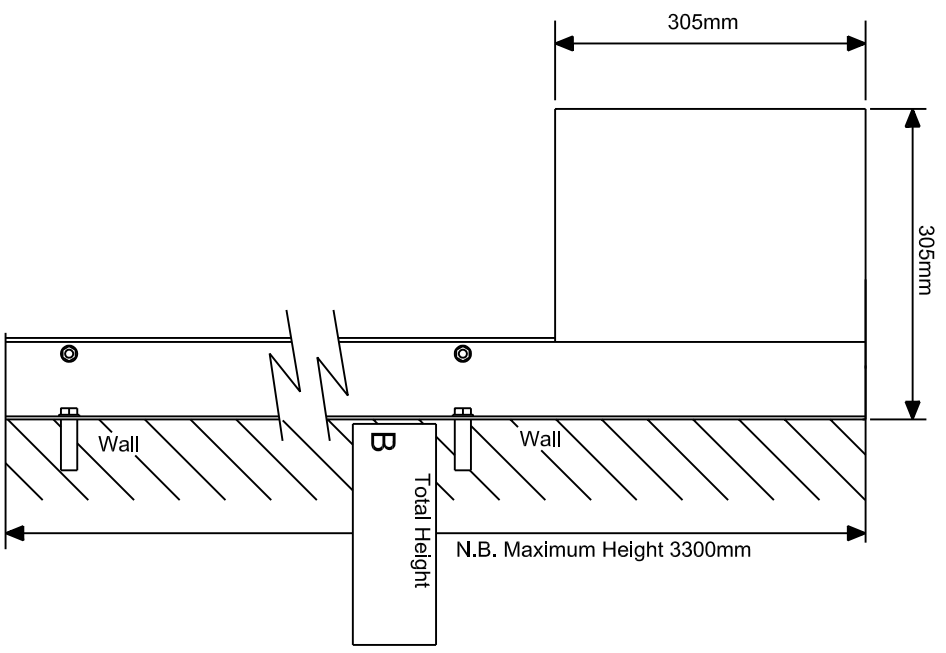
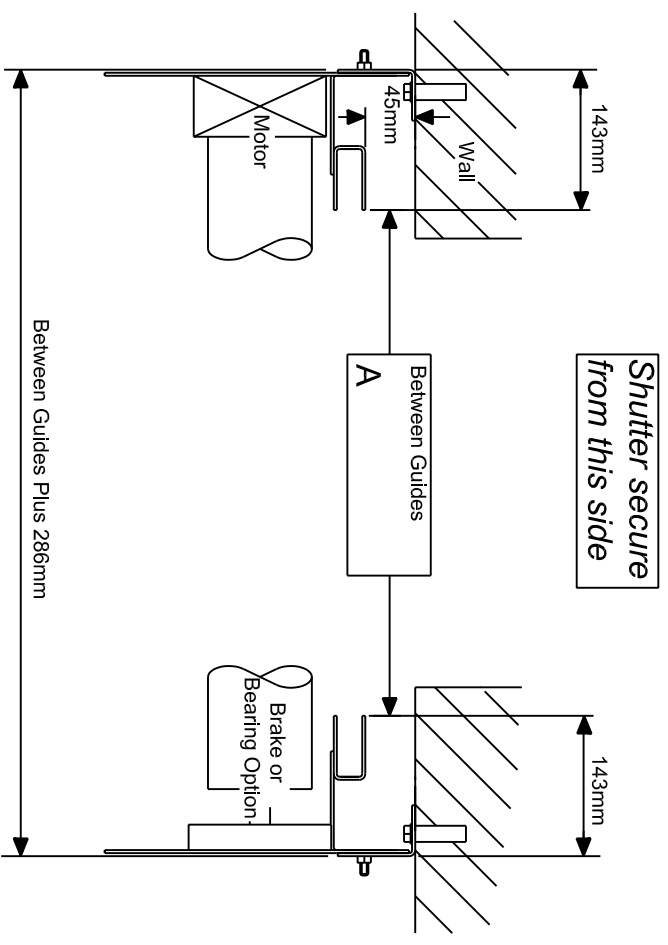


Insert sizes into boxes A & B



Kenrick Door Systems
 Booth St. Smethwick
 West Midlands. B66 2PF
 Tel: 0121 565 0022
 Fax: 0121 565 0055
 Email: sales@kenrickdoorsystems.co.uk

Title: **Left Hand Tube**
Motor Shutter
Face Fixed
Drg No 03003

Client Approval/Order Box	
Company	
Signature	
Print Name	
Date	
Order No.	

Modification record	Date	No.	Not to scale
			Drawn By
			Approved X
			Date
			Issue No. 1
			Drg No. 03003