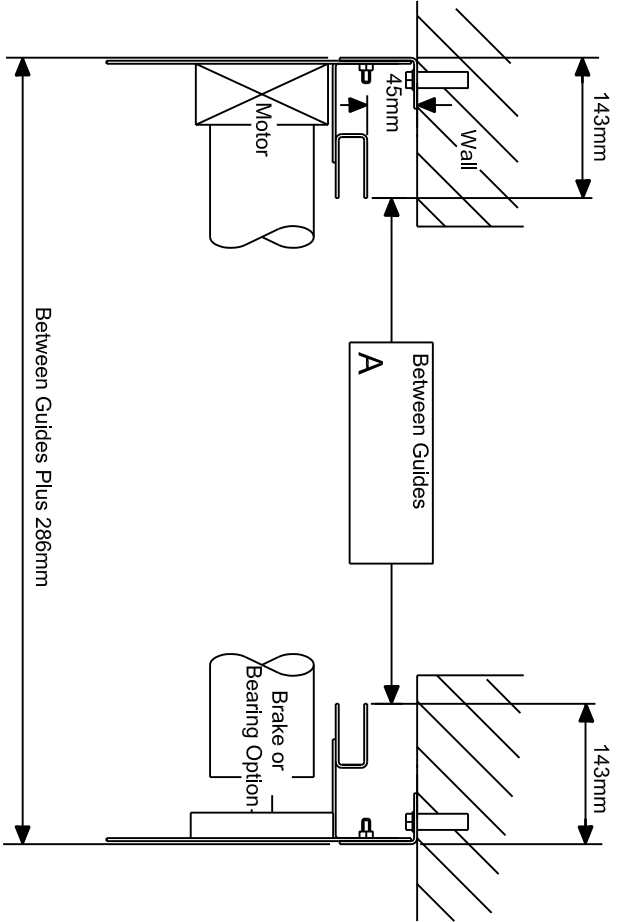
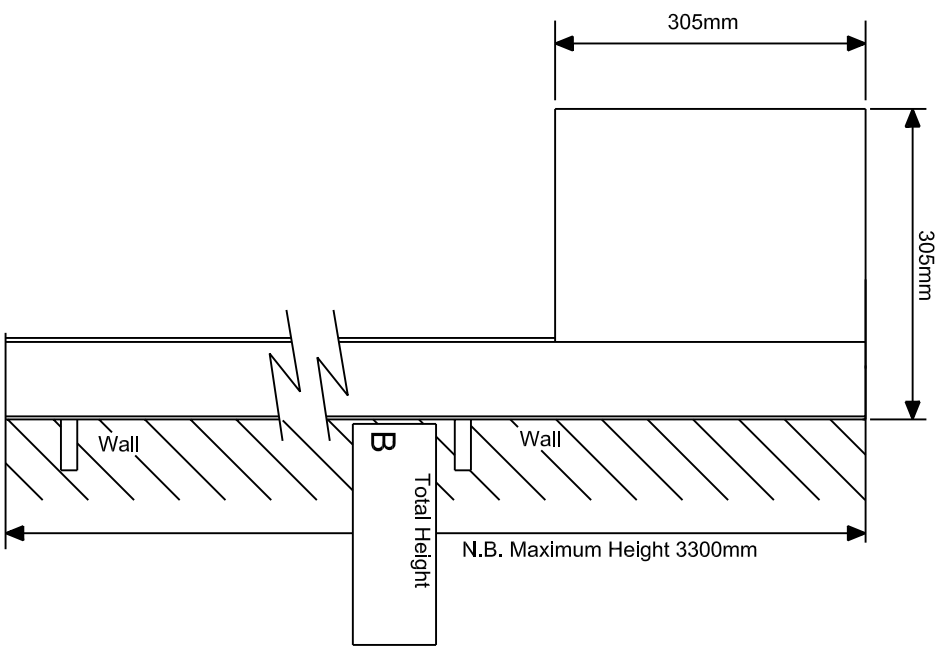


Insert sizes into boxes A & B



**Shutter secure
from this side**



Kenrick Door Systems
Booth St. Smethwick
West Midlands. B66 2PF
Tel: 0121 565 0022
Fax: 0121 565 0055
Email:
sales@kenrickdoorsystems.co.uk

Title:
**Left Hand Tube
Motor Shutter
Face Fixed
Drg No 03004**

Client Approval/Order Box	
Company	
Signature	
Print Name	
Date	
Order No.	

Modification record	Date	No.	Not to scale
			Drawn By
			Approved X
			Date
			Issue No. 1
			Drg No. 03004